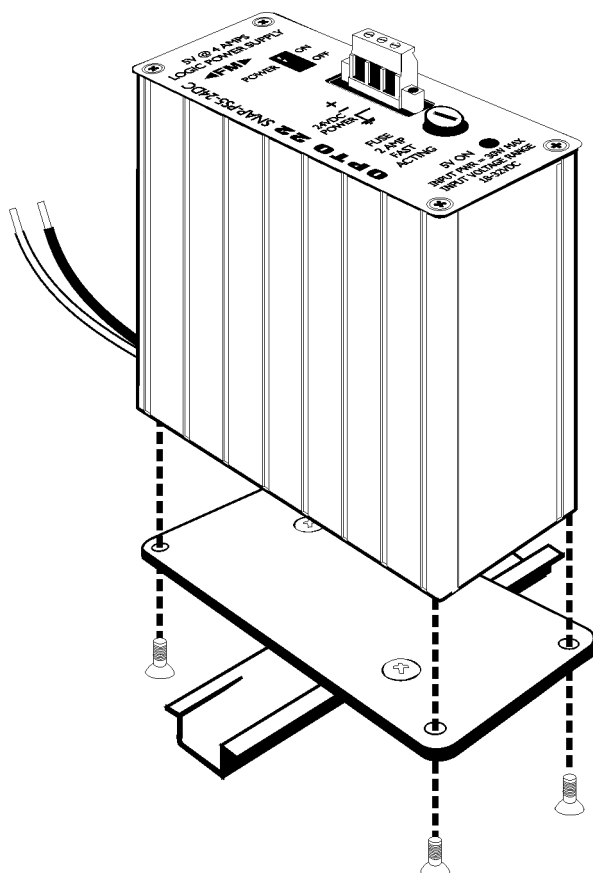


SNAP-PSDIN and SNAP-PSUDIN Installation

Installation Steps

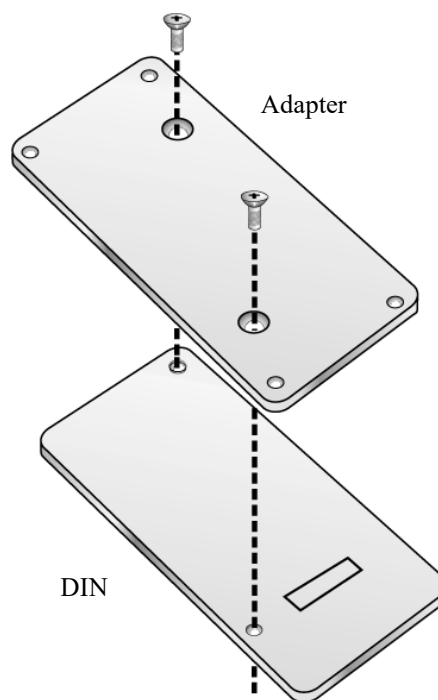
Follow these steps to mount your SNAP power supply or standalone controller on a DIN rail, using the enclosed mounting kit.

1. Turn the SNAP device upside down and remove the four screws that fasten the panel mounting base plate to the device. Save the screws. Remove the device's base plate.
2. Using the two flat-head screws included with the kit, assemble the SNAP-PSDIN or SNAP-PSUDIN adapter to the DIN clip, as shown in the diagram at right.
3. Use the four screws removed in step 1 to fasten the DIN-rail adapter clip to the bottom of the device, as shown.



Compatibility

For this device	Use this kit
SNAP-PS5 power supply SNAP-PS5-24DC power supply SNAP-PS24 power supply SNAP-PAC-S1 controller SNAP-PAC-S1-FM [Obsolete] controller SNAP-LCE controller SNAP-LCSX controller SNAP-LCSX-PLUS controller	SNAP-PSDIN
SNAP-PS5U power supply SNAP-PS24U power supply	SNAP-PSUDIN



The SNAP-PS5-24DC power supply is shown in this example. Other devices have similar base plates.