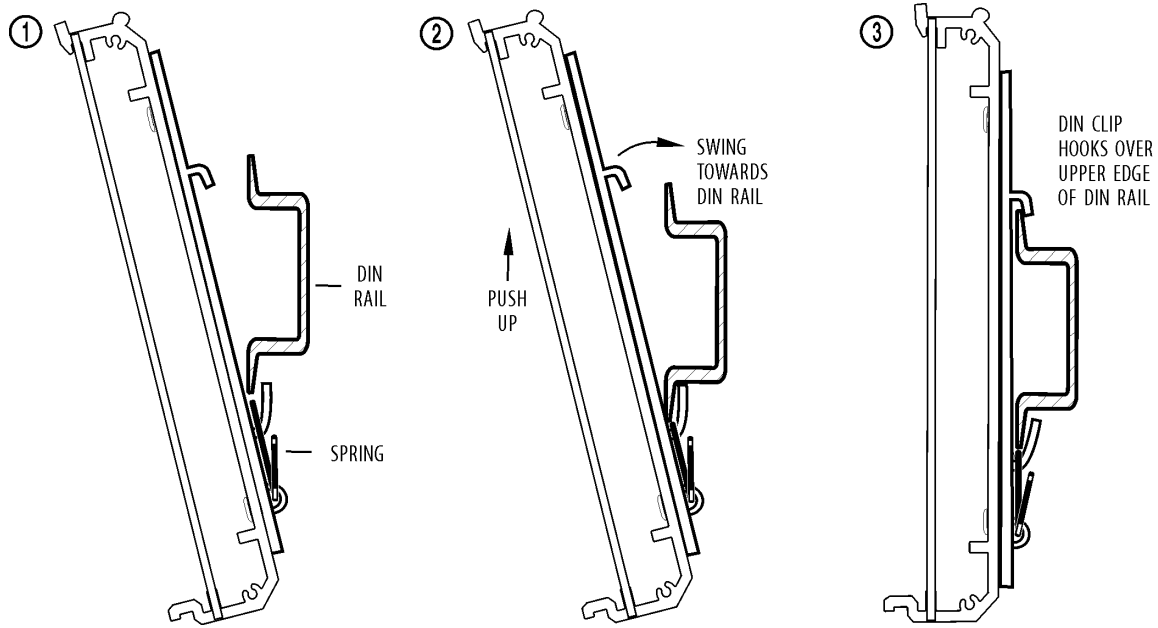


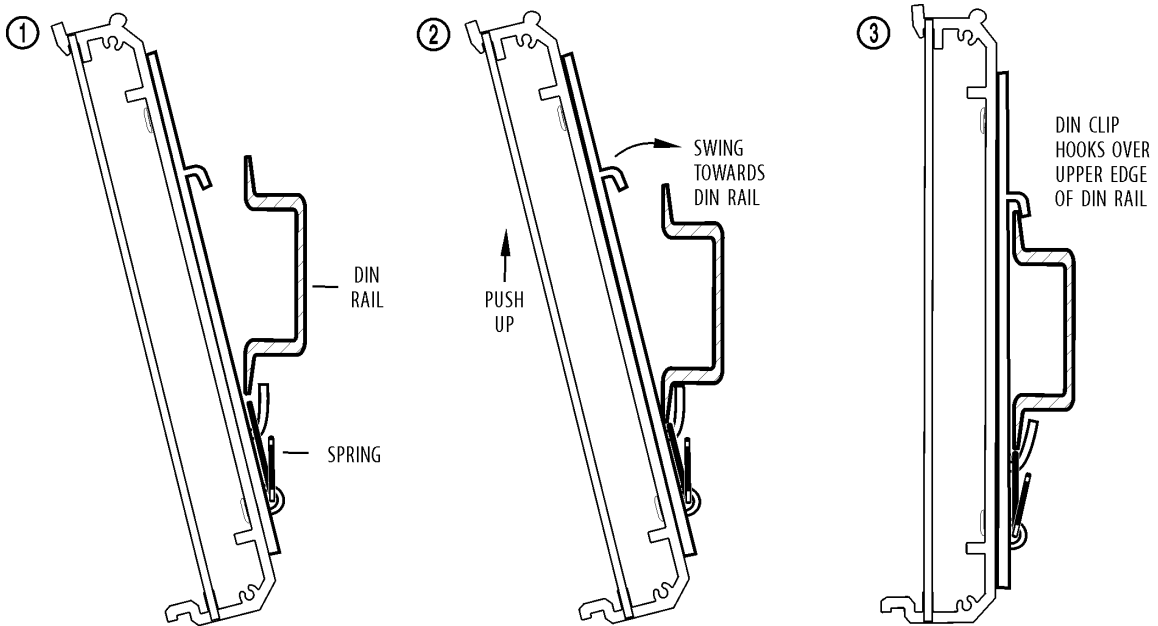
Attaching the Adapter Clip to a DIN Rail



IMPORTANT: Install multiple adapter clips in the same orientation.
Always install clips with their springs below the DIN rail.

Form 1562-060919

Attaching the Adapter Clip to a DIN Rail



IMPORTANT: Install multiple adapter clips in the same orientation.
Always install clips with their springs below the DIN rail.

Form 1562-060919