

SNAP-SCM-PROFI Communication Module

Features

- > Single isolated port with built-in DB-9 connector
- > Baud rates to 1.5 Mbaud
- > Works with the SNAP PAC System
- > Up to eight SNAP-SCM-PROFI modules per rack
- > 30-month warranty

DESCRIPTION

The SNAP-SCM-PROFI module is a high-speed serial communications module that provides a standard electrical interface between Opto 22's Ethernet-based SNAP PAC System and PROFIBUS DP® networks.

The SNAP-SCM-PROFI module is designed for use with Opto 22's SNAP PAC R-series controllers and SNAP PAC EB brains, both the standard wired models and the Wired+Wireless™ models.

The SNAP-SCM-PROFI module snaps into Opto 22 SNAP PAC mounting racks, right beside other SNAP I/O modules, to provide the mix of analog, digital, and serial channels you need at any location. LEDs indicate Transmit and Receive activity on the port, as well as power and operation status.

SNAP racks have a retention rail locking system. Use two 4-40 by ½-inch standard machine screws to hold each module securely in position on the SNAP rack.

In order to facilitate system integration using a SNAP-SCM-PROFI module with a SNAP PAC controller using PAC Project software, Opto 22 provides PROFIBUS DP Master Software. For more information, see Opto 22 form #1591, the *PROFIBUS DP Master Technical Note*.



SNAP-SCM-PROFI Module

Part Number

Part	Description
SNAP-SCM-PROFI	Serial communications module that provides an electrical interface to PROFIBUS DP® networks.

SPECIFICATIONS

Baud rates	9600 to 1.5 MBaud*
Channel-to-channel isolation	750 Vrms
Logic supply voltage	5.0 VDC
Logic supply current	250 mA
Number of ports per module	1
Maximum number of modules per rack*	8
Processor compatibility	SNAP PAC R-series controllers and SNAP PAC EB brains, both standard wired and Wired+Wireless models. Also SNAP-B3000-ENET, SNAP-ENET-RTC, SNAP-ENET-S64, SNAP-UP1-ADS, and SNAP-UP1-M64.
Processor firmware	Firmware 6.1c or newer required
Operating temperature	-20 to 70 °C
Storage temperature	-30 to 85 °C
Torque, hold-down screws	4 in-lb (0.45 N-m)
Torque, connector screws	5.26 in-lb (0.6 N-m)
Agency Approvals	CE, RoHS, DFARS
Warranty	30 months

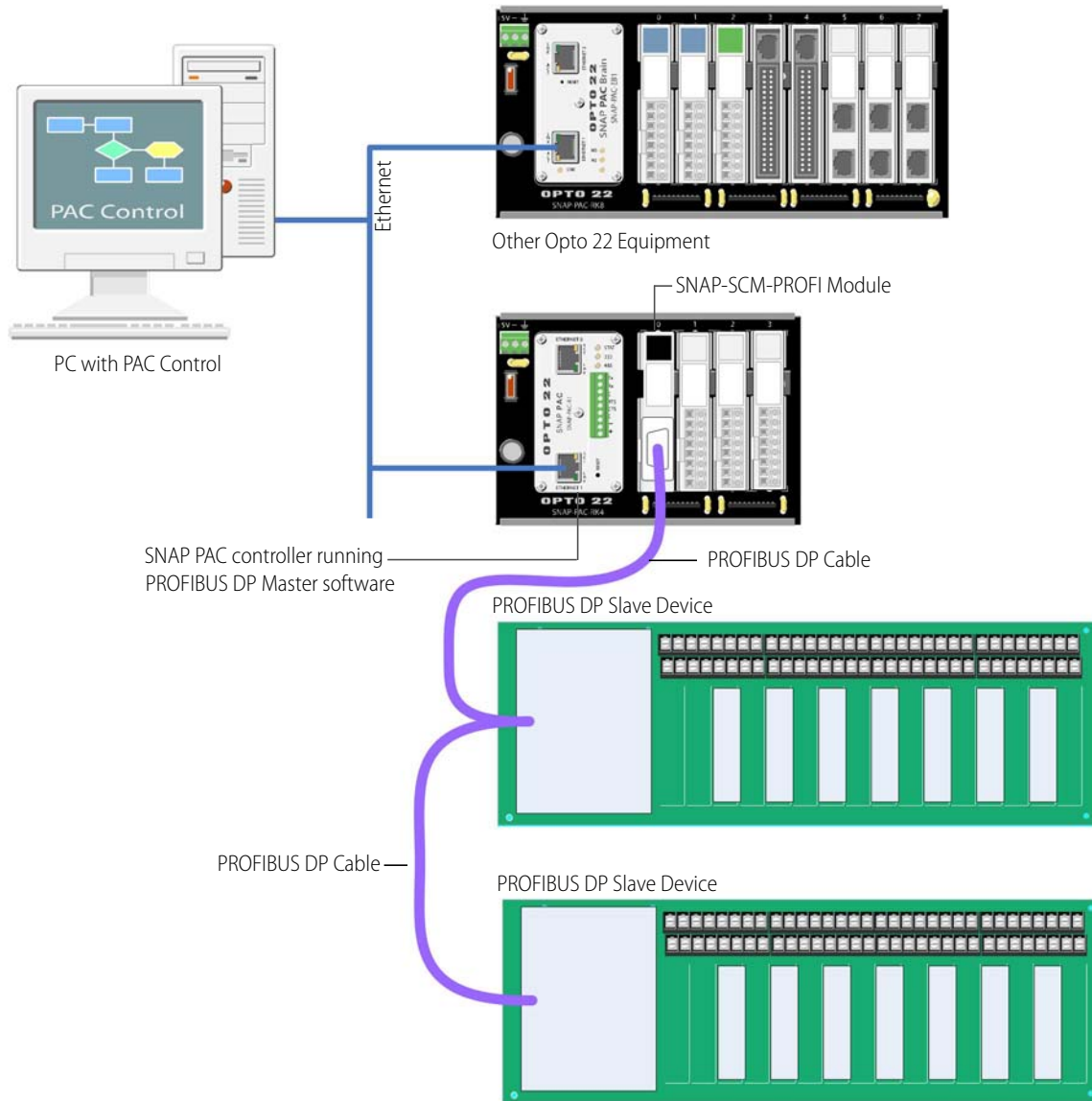
* Maximum number of modules per rack assumes a 4A power supply (for example, SNAP-PS5). Each rack backplane provides approximately 2.5 Mbps of bandwidth.

** With Opto 22 SNAP power supply and SNAP rack

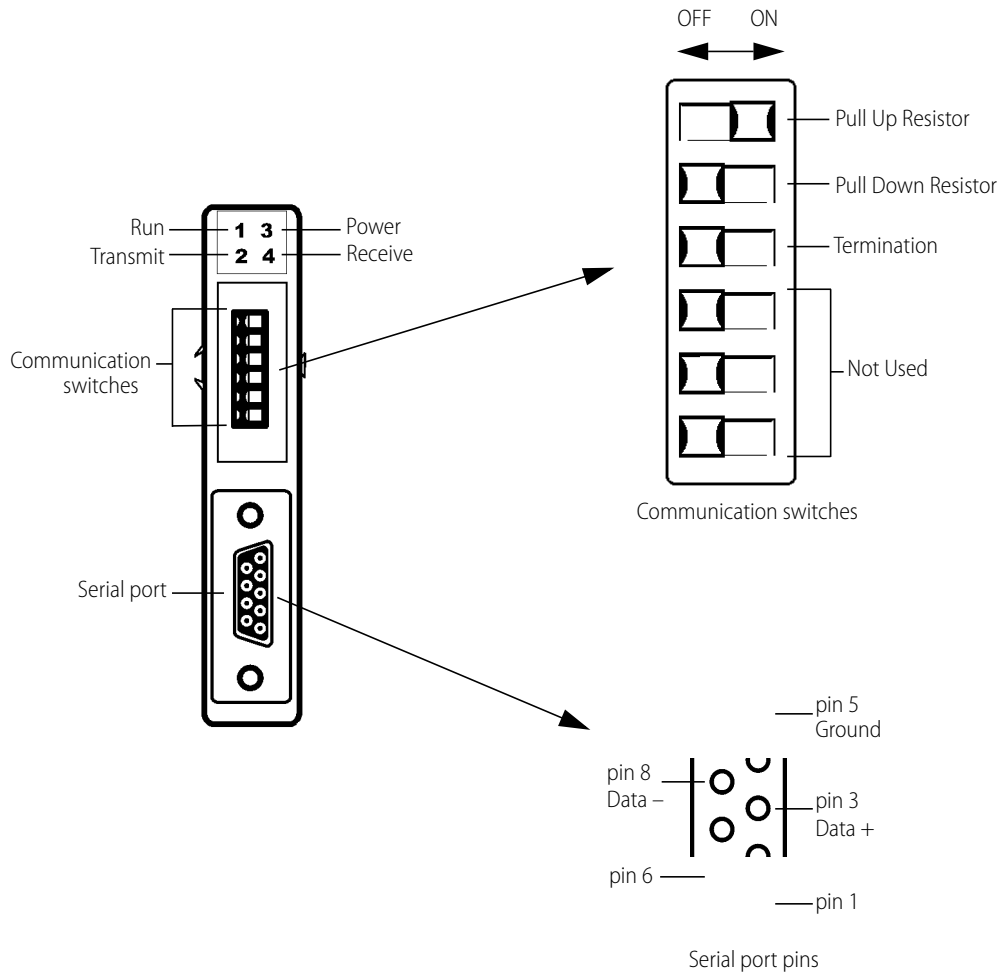
LEDs

LED	Indicates
1	RUN
2	TRANSMIT
3	POWER
4	RECEIVE

SYSTEM ARCHITECTURE, PROFIBUS DP MASTER

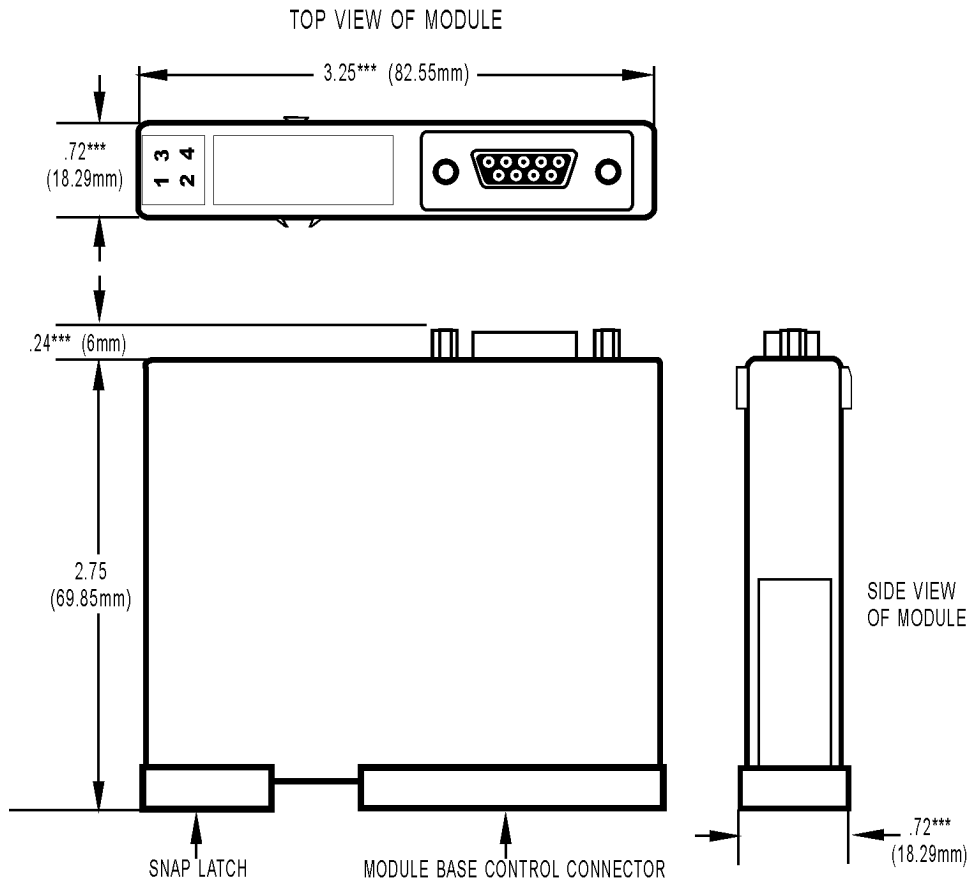


WIRING



The SNAP-SCM-PROFI module is designed to work with either a standard PROFIBUS DP[®] cable or a custom-built PROFIBUS DP cable. For information on setting the communication switches, see the *SNAP Serial Communication Module User's Guide*, Opto form #1191.

DIMENSIONS



TOLERANCES LEGEND
 * +/- .010" ** +/- .020"
 *** +/- .030" **** +/- .060"
 NO * REFERENCE ONLY