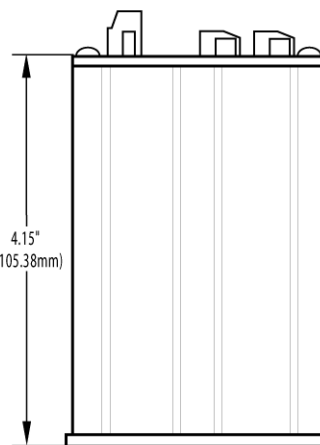
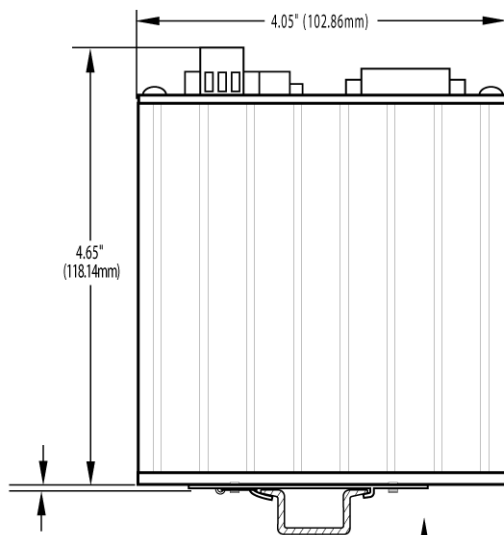
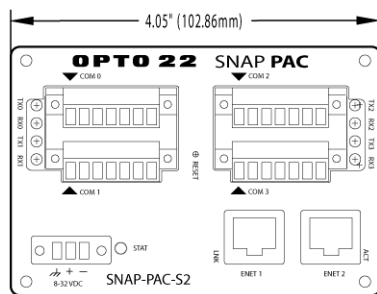
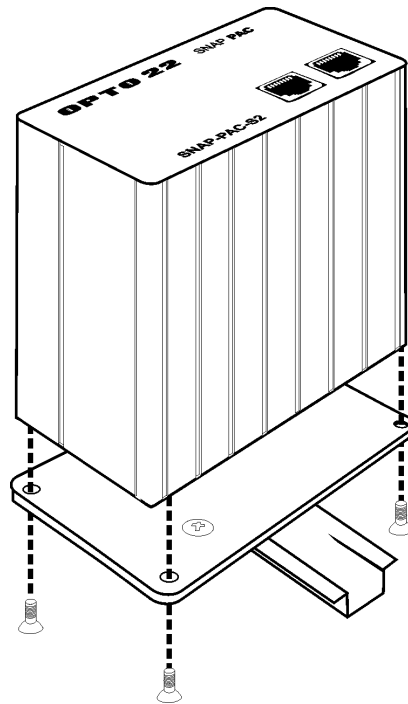


# SNAP-S2DIN Installation

Follow these steps to mount your SNAP-PAC-S2 programmable automation controller on a DIN rail, using the enclosed SNAP-S2DIN mounting kit.

1. Turn the controller upside down and remove the four screws that fasten the panel mounting base plate to the controller. **Save the screws.** Remove the controller's base plate.
2. Use the four screws to fasten the DIN-rail adapter clip to the bottom of the controller, as shown.



FOR DIN CLIP ADD ADDITIONAL  
0.06" (1.52mm) TO OVERALL HEIGHT

CUSTOMER SUPPLIED  
35mm DIN RAIL  
NOTE: BE SURE TO CONSIDER  
DIN RAIL DIMENSIONS.

SNAP RACK DIN-RAIL ADAPTER CLIP